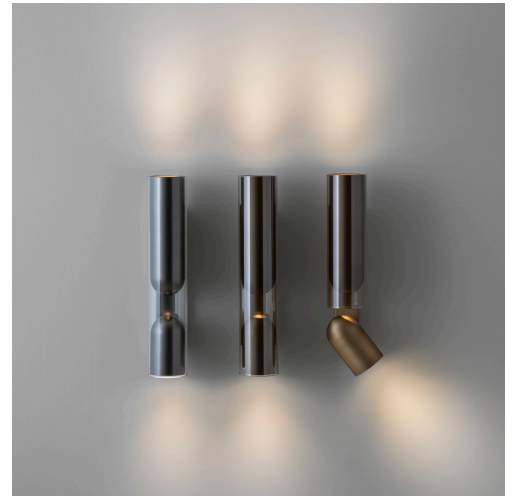


Clash

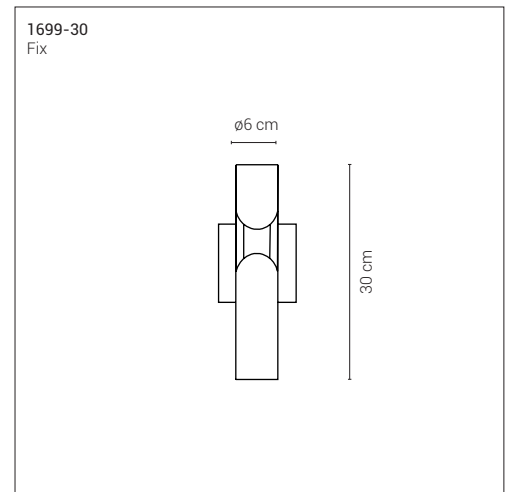
Artefatto
2017

1699-30

Wall lamp with inner structure in metal in the finishes graphite or brushed bronze and outer structure in transparent or fumé glass.



Mounting	Wall lamp
Environment	Indoor
Materials	Metal and glass
Voltage	230V 50/60Hz
Source	2x 6W LED - GU10 1x 2.2W 3000K CRI=80
Lumen	NA
Dimming	NA



Glass finishes

Transparent
 Fumè

Metal finishes

Graphite
 Brushed bronze

Certification

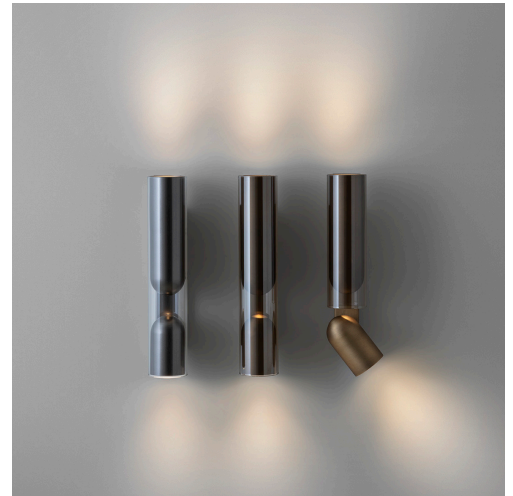


Clash

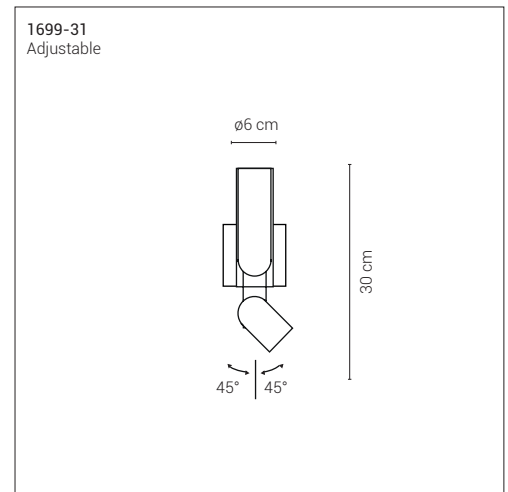
Artefatto
2017

1699-31

Wall lamp with inner structure in metal in the finishes graphite or brushed bronze and outer structure in transparent or fumé glass.



Mounting	Wall lamp
Environment	Indoor
Materials	Metal and glass
Voltage	230V 50/60Hz
Source	2x 6W LED - GU10 1x 2.2W 3000K CRI=80
Lumen	NA
Dimming	NA



Glass finishes

- Transparent
- Fumè

Metal finishes

- Graphite
- Brushed bronze

Certification

